

IFP Moving Bracket

FL201 FL202

INTRODUCTION

IFP moving brackets are innovative and practical devices specifically designed for the secure and convenient installation and repositioning of interactive flat panel. The IFP moving bracket offers a seamless and flexible solution for mounting and adjusting these displays to accommodate different needs and environments.



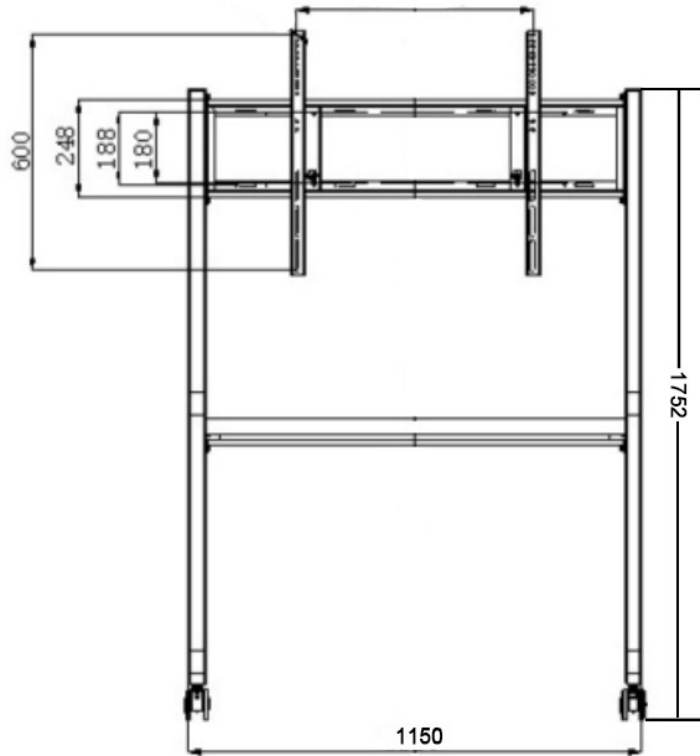
SPECIFICATIONS

Product Name	IFP Moving Bracket
Product Size (LxWxH)	65-86:1150 x 665 x 1603mm 86-110:1250 x 782 x 1750mm
Packing Size (LxWxH)	65-86:1630 x 755 x 160mm 86-110:1275 x 360 x 150mm
Net Weight	65-86:16.5kg 86-110:22kg
Gross Weight	65-86:20.5kg 86-110:23.65kg
Weight Capacity(MAX)	65-86:100kg 86-110:130kg
Color	65-86:silver gray/black 86-110:matte gray/black

PRODUCT DIMENSION

Unit:mm

65-86 Inch



86-110 Inch

