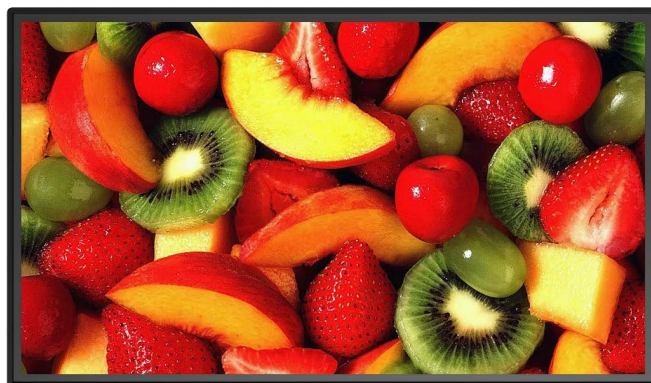


Wall Mounted Digital Display

DS-TW Series

INTRODUCTION

Wall-mounted digital displays provide a visually stunning and versatile platform for communicating information and engaging audiences within indoor spaces. One of the main advantages is the ability to deliver clear and detailed visuals, and their high-resolution visuals, flexibility in content management, and energy-efficient design make them ideal for businesses and organizations looking to attract attention. audience and deliver impactful messages in a visually appealing way. Such as shopping malls, airports, hotels, office buildings, entertainment venues, etc.



FEATURES

- 178° wide viewing angle, the colors are still rich when viewed from multiple angles
- 4mm ordinary explosion-proof glass
- Wide range of application scenarios, adaptable to diversified installation environments
- Supports various installation methods such as horizontal and vertical wall mounting, ceiling mounting, embedded, etc.
- Supports 7*24 hours operation
- Built-in camera(Optional)
- Easy to maintenance,Simply control
- Customized for the content showing
- Support full HD 2k(Optional 4k)
- Low power consumption,Good heat dissipation
- Built-in speakers

DS-TW Series

FEATURES

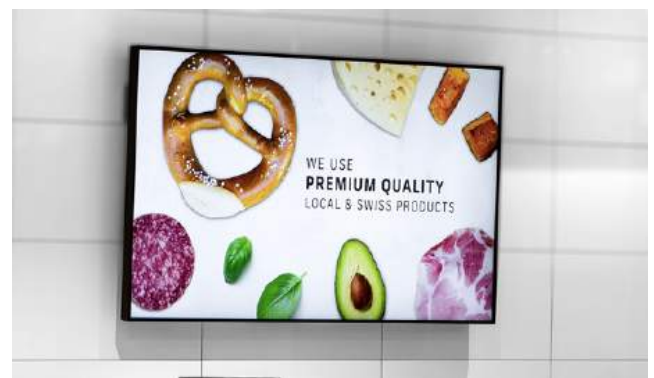
Support Full HD

With brilliant display effects and great ability to show color in its most real status



Dynamic Content Updates

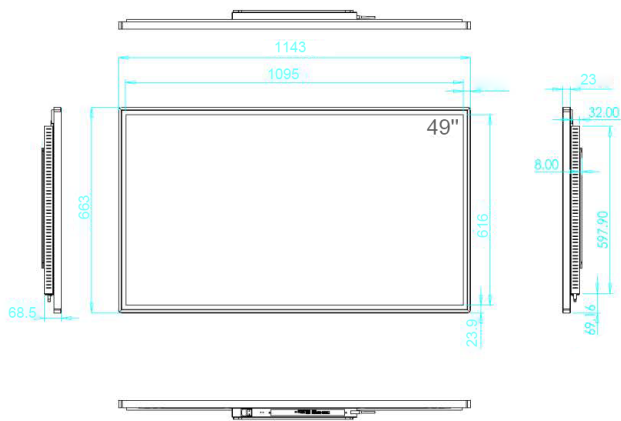
With advanced content management systems, indoor digital displays enable real-time updates and customization of displayed content



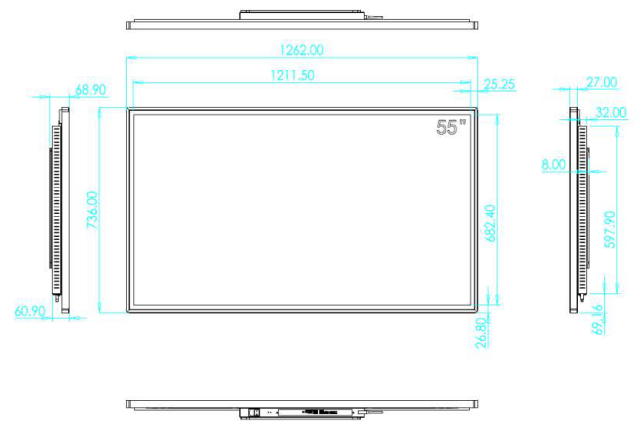
SPECIFICATIONS

Machine Parameters					
Resolution	1920*1080/3840*2160		Contrast	5000:1	
Panel Type	LCD		Reaction Time	≤15ms	
Viewing Angle	89/89/89/89		Working Frequency	60Hz	
Display Brightness	≤400cd		Cursor Speed	120 Dot/s	
Display Color	10Bit,16.7M		Storage Environment	-5°C~60°C / 10%RH~90%RH	
Backlight Type	DLED		Working Environment	-0°C~55°C / 10%RH~90%RH	
Input Voltage	AC100-240V 50/60Hz		Service Life	> 60000 Hour	
Standby Power	≤3W		Precautions	Please do not use it in an environment exposed to rain, moisture, oil, or direct sunlight.	
Machine Power Consumption	≤120W (Not Include Computer)		Accessories	Touch pen, wall mount, WiFi antenna, power cord, remote control	
Installation Method	Horizontal Installation, Vertical Installation, Built-in		Trumpet	Stereo Speakers	
Touch					
Touch Scheme	Infrared Touch		Touch Points	Supports up to 20 touch points	
Touch Resolution	32768*32768		Touch Life	Unlimited Theory	
Touch Accuracy	≤2mm		Touch Media	Fingers, Touch Pens, And Other Non-Transparent Objects With A Diameter Of Not Less Than 5mm	
Response Time	<6ms		Drive Mode	No Need To Drive	
Size					
Siez	49"	55"	65"	75"	86"
Display Area	1095*616	1209.6*680.4	1428.48*	1649.66 *927.936	1872*1053
Machine Size	1143*663.8*68.5/93	1262*73*61/69	1488.4*863.4*91.6 /117.1	1710*994*89.6 /119.7	1934.8*1120.5*89.6 /119.7
Package Size	1181*731*135	1345*850*150	1648*962*223	1870*1087*223	2116*1226*223
VFSA	300*300	400*400	400*400	400*400	600*400
Net/Gross weight	19KG/23KG	21KG/26KG	26KG/34KG	41KG/50KG	55KG/68KG
Trumpet	8Ω/5W*2	8Ω/5W*2	8Ω/10W*2	8Ω/10W*2	8Ω/10W*2
Interface					
RJ45*1 USB*2 VGA*1 VGA AUDIO*1 TOUCH USB*1 Tuner*1 AV IN*1 AV OUT*1 SPDIF OUT*1 RS232 UART*1 OPS(Optional)					

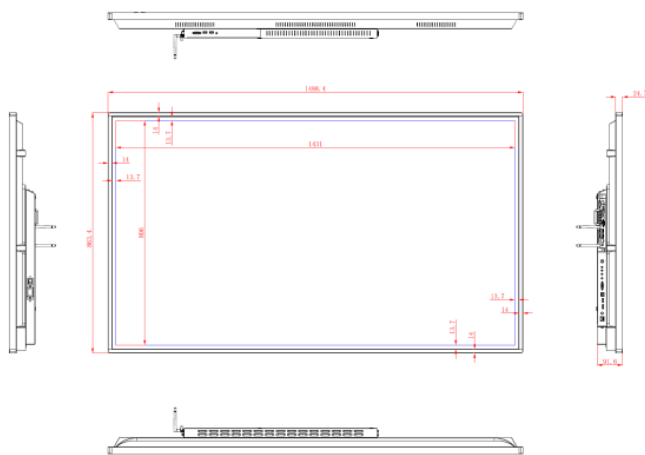
49" Dimensions



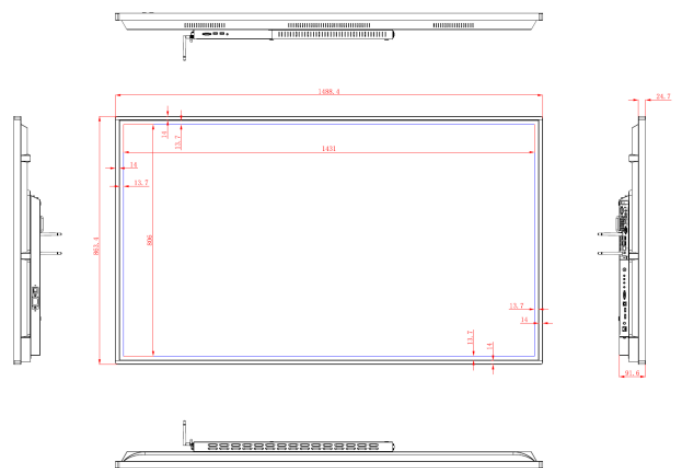
55" Dimensions



65" Dimensions



75" Dimensions



86" Dimensions

